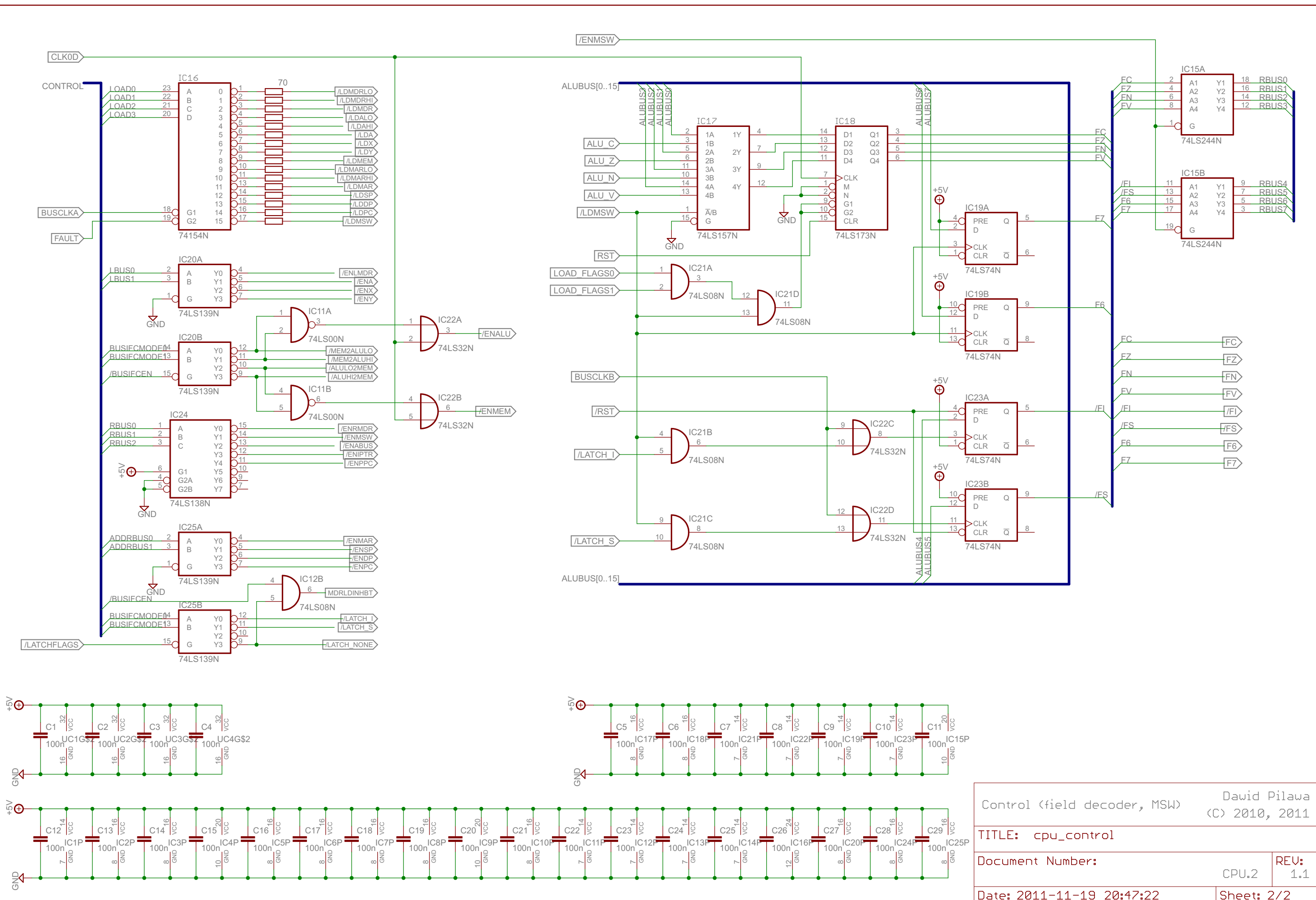
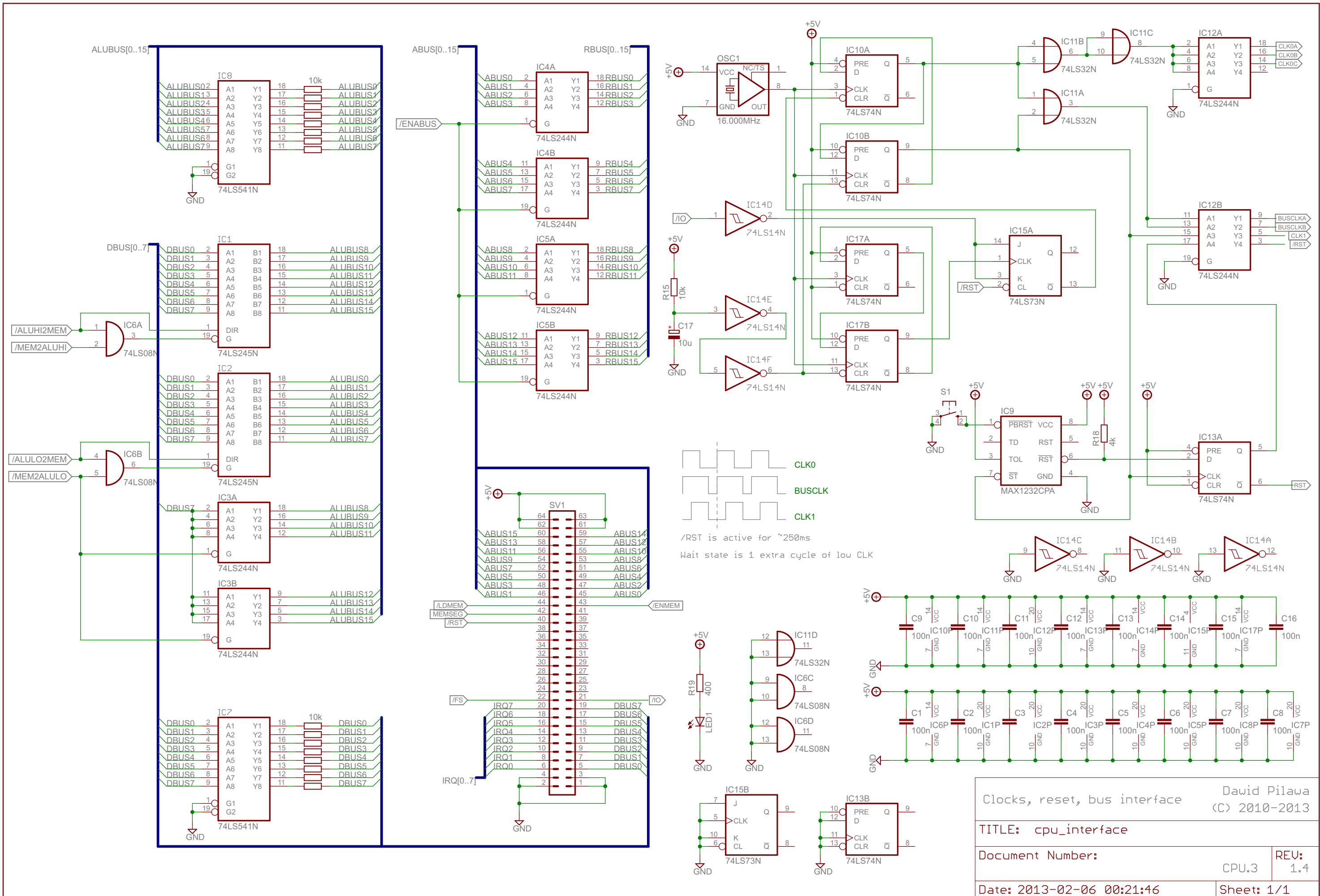
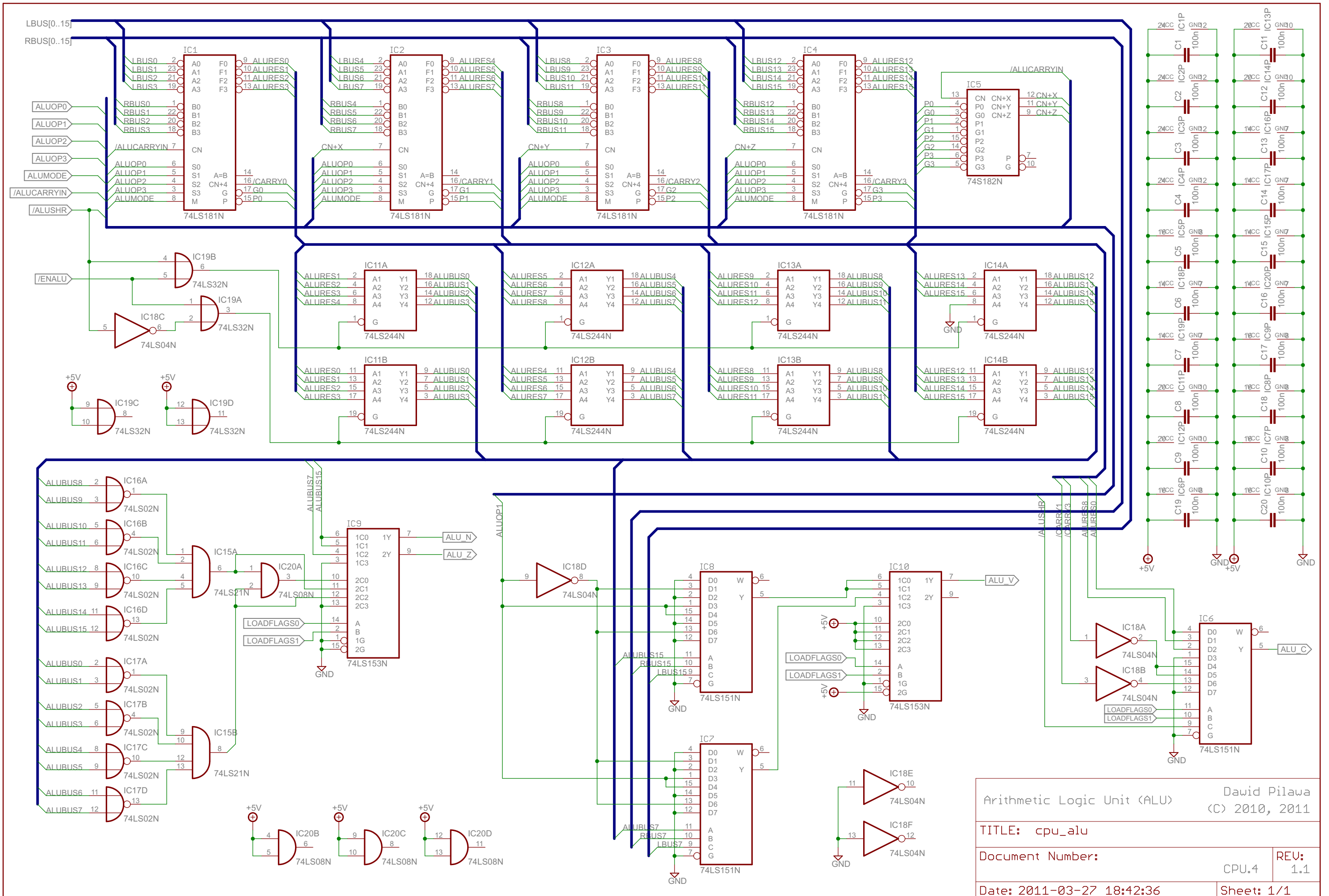


Control (microcode sequencer) Dawid Pilawa  
 (C) 2010, 2011  
 TITLE: cpu\_control  
 Document Number: CPU.1 REU: 1.1  
 Date: 2011-11-19 20:47:22 Sheet: 1/2





|                              |  |                               |          |
|------------------------------|--|-------------------------------|----------|
| Clocks, reset, bus interface |  | Dawid Pilawa<br>(C) 2010-2013 |          |
| TITLE: cpu_interface         |  |                               |          |
| Document Number:             |  | CPU.3                         | REV: 1.4 |
| Date: 2013-02-06 00:21:46    |  | Sheet: 1/1                    |          |

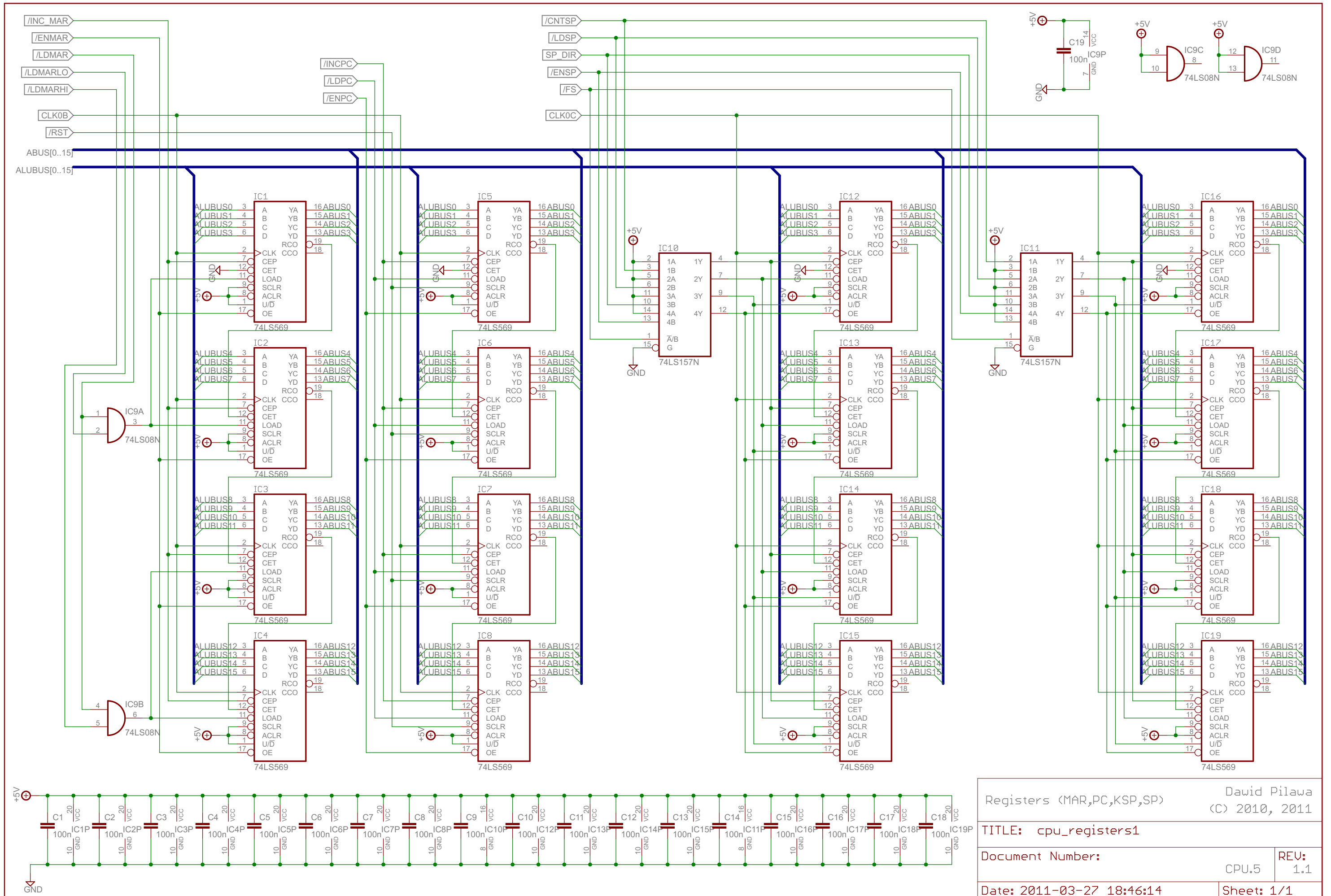


Arithmetic Logic Unit (ALU) Dawid Pilawa  
(C) 2010, 2011

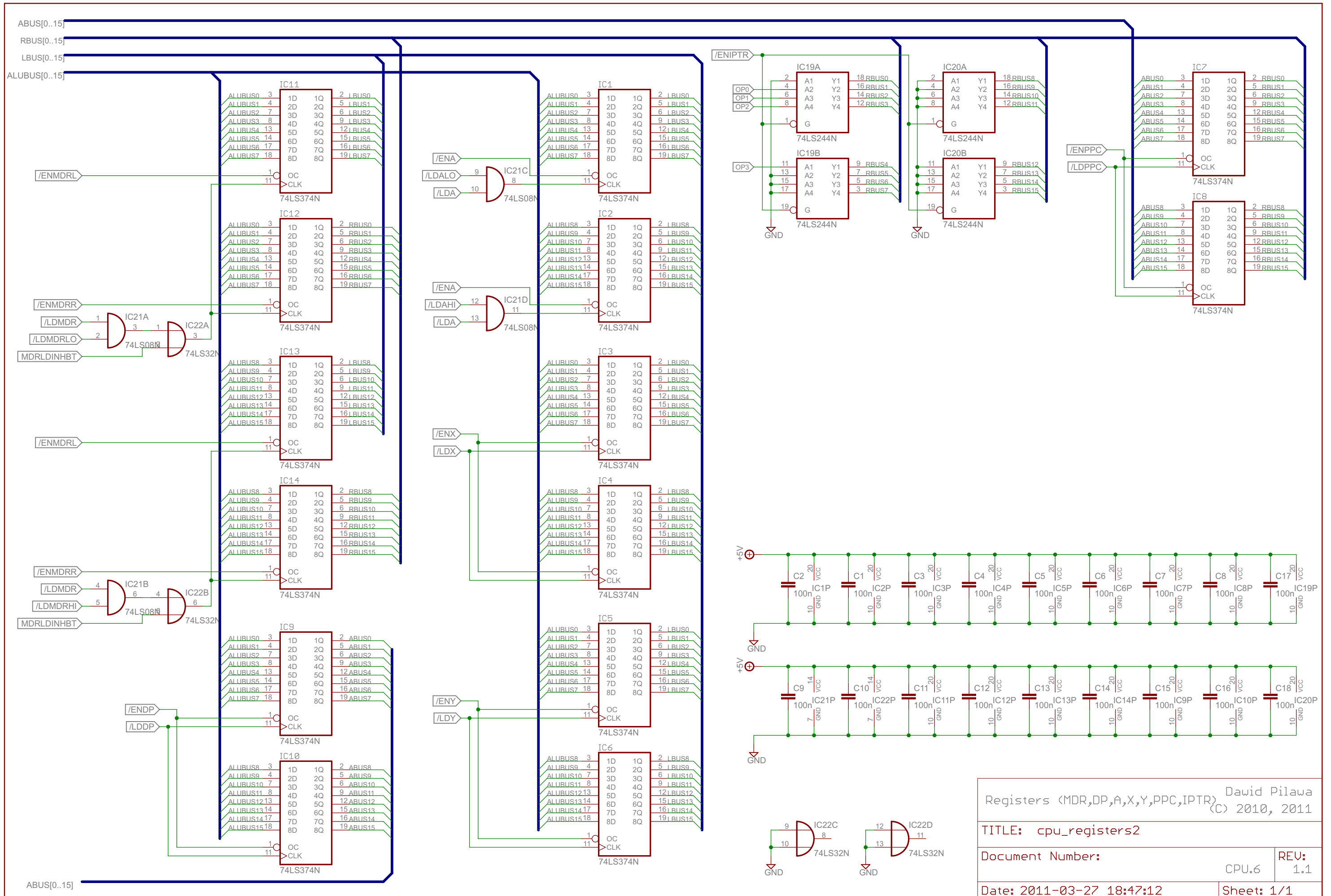
TITLE: cpu\_alu

Document Number: CPU.4 REV: 1.1

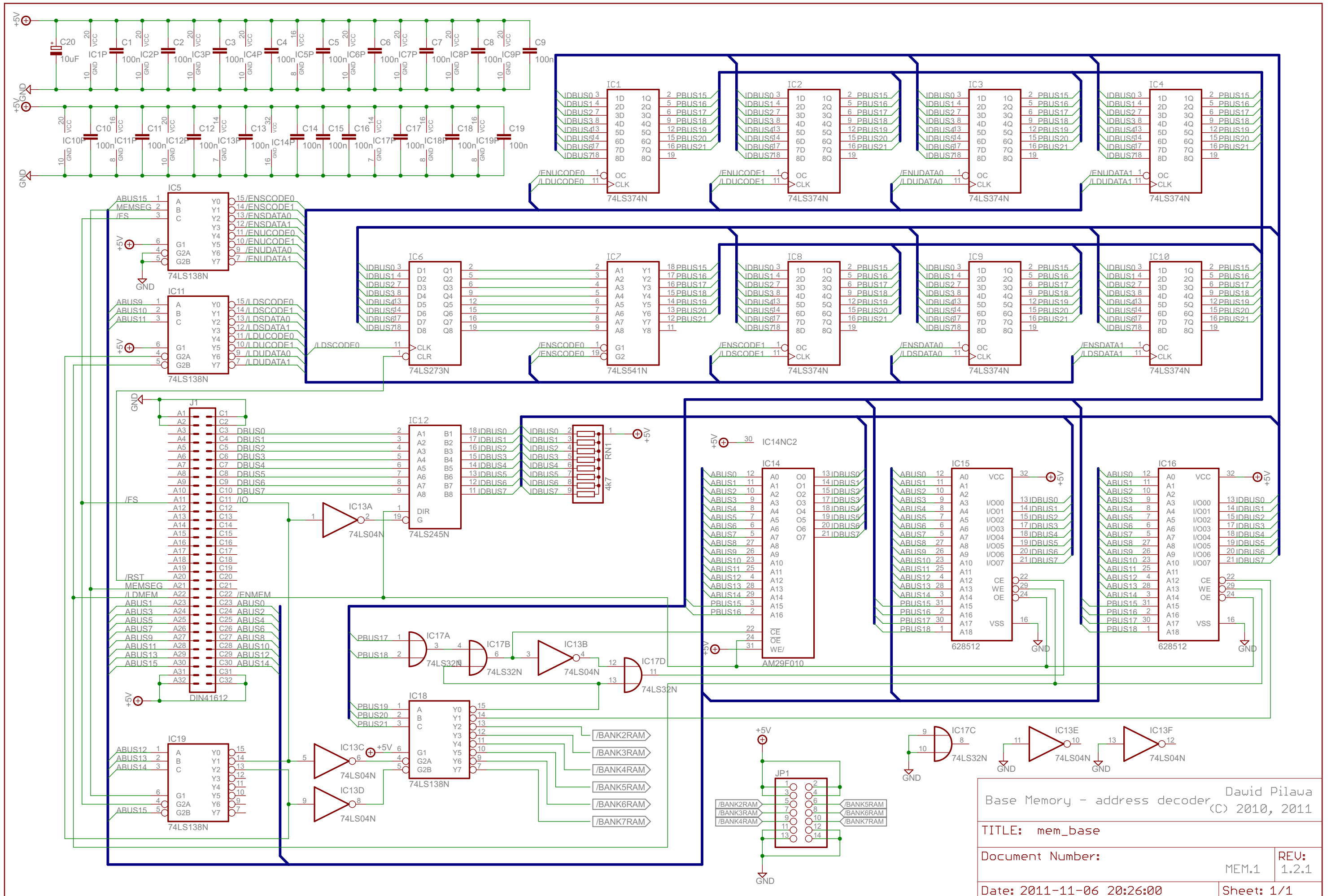
Date: 2011-03-27 18:42:36 Sheet: 1/1



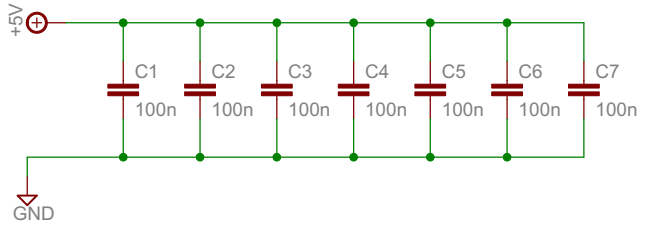
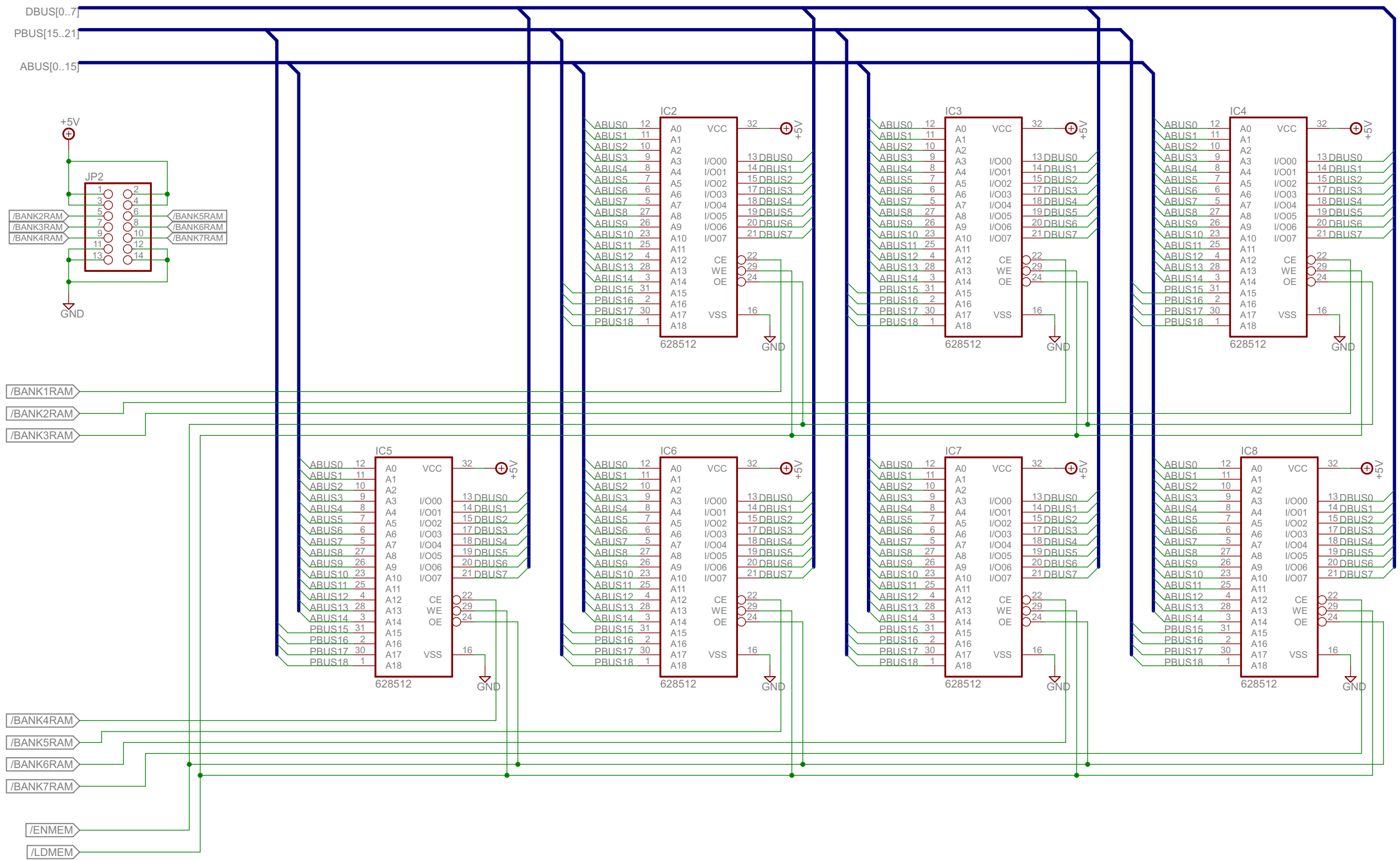
|                           |                |
|---------------------------|----------------|
| Registers (MAR,PC,KSP,SP) | Dauid Pilawa   |
|                           | (C) 2010, 2011 |
| TITLE: cpu_registers1     |                |
| Document Number:          | REV: 1.1       |
|                           | CPU.5          |
| Date: 2011-03-27 18:46:14 | Sheet: 1/1     |



Dawid Pilawa  
 (C) 2010, 2011  
 TITLE: cpu\_registers2  
 Document Number: CPU.6  
 REV: 1.1  
 Date: 2011-03-27 18:47:12  
 Sheet: 1/1

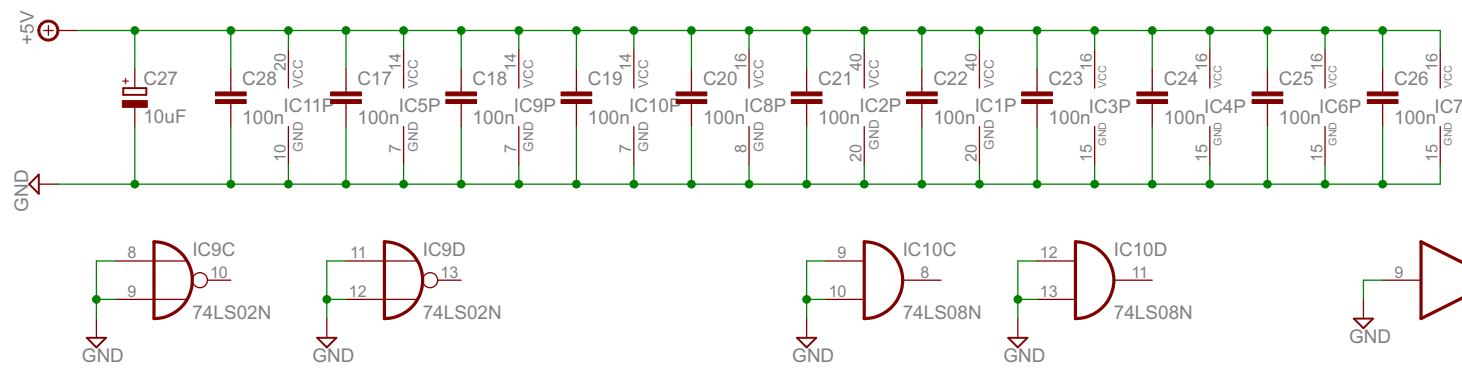
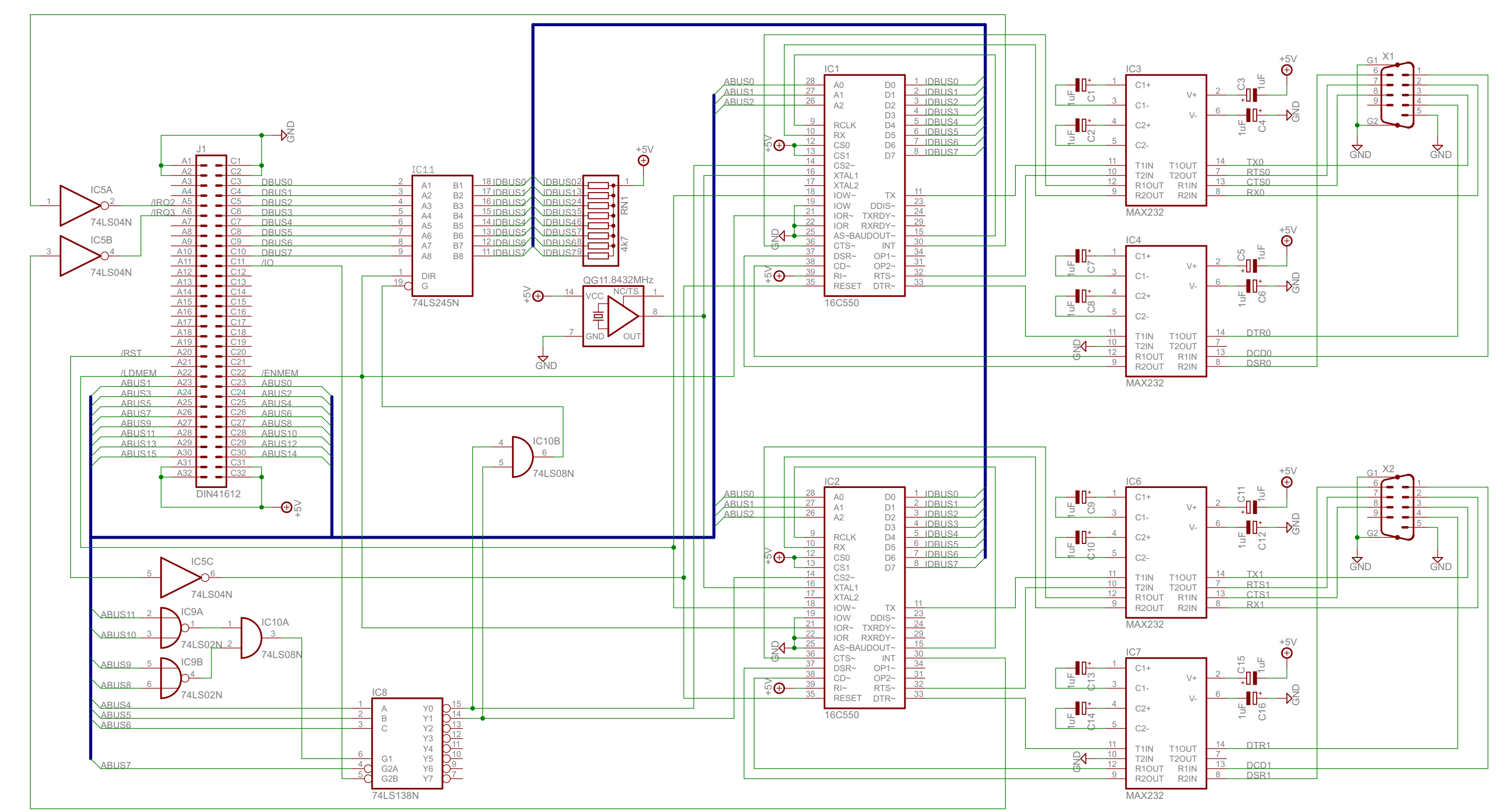


Base Memory - address decoder, Dawid Pilawa  
 (C) 2010, 2011  
 TITLE: mem\_base  
 Document Number: MEM.1  
 Date: 2011-11-06 20:26:00  
 REU: 1.2.1  
 Sheet: 1/1

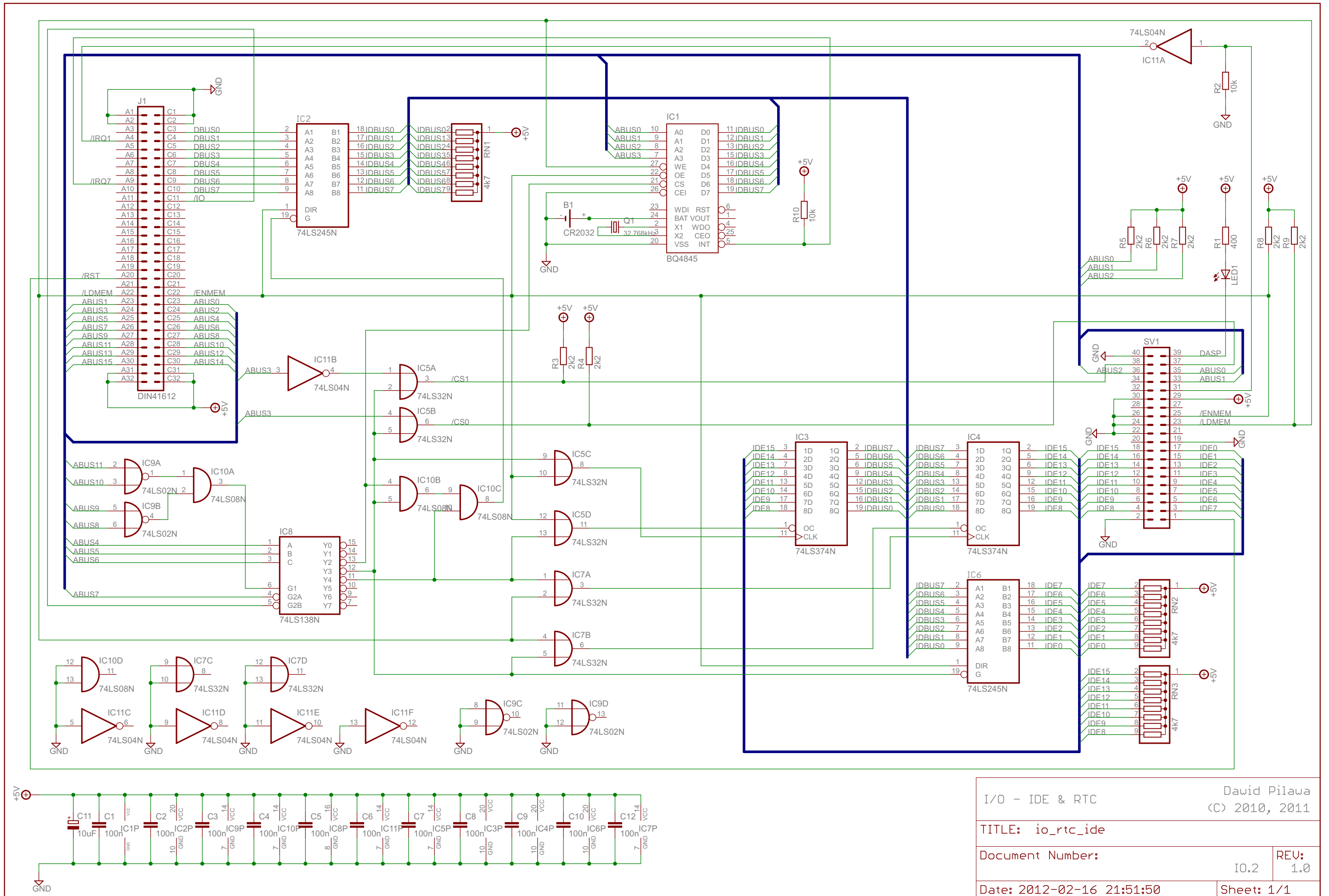


|                           |  |                |            |
|---------------------------|--|----------------|------------|
| Extended Memory           |  | Dawid Pilawa   |            |
|                           |  | (C) 2010, 2011 |            |
| TITLE: mem_ext            |  |                |            |
| Document Number:          |  | MEM.2          | REU: 1.2.1 |
| Date: 2012-01-08 17:41:52 |  |                | Sheet: 1/1 |





|                           |  |                 |            |
|---------------------------|--|-----------------|------------|
| I/O - UARTS               |  | Dawid Pilawa    |            |
|                           |  | (C) 2010 - 2012 |            |
| TITLE: io_uartS           |  |                 |            |
| Document Number:          |  | 10.1            | REV: 1.0.3 |
| Date: 2012-05-05 00:00:19 |  |                 | Sheet: 1/1 |



|                           |  |                |  |
|---------------------------|--|----------------|--|
| I/O - IDE & RTC           |  | Dawid Pilawa   |  |
|                           |  | (C) 2010, 2011 |  |
| TITLE: io_rtc_ide         |  |                |  |
| Document Number:          |  | REV: 1.0       |  |
|                           |  | 10.2           |  |
| Date: 2012-02-16 21:51:50 |  | Sheet: 1/1     |  |