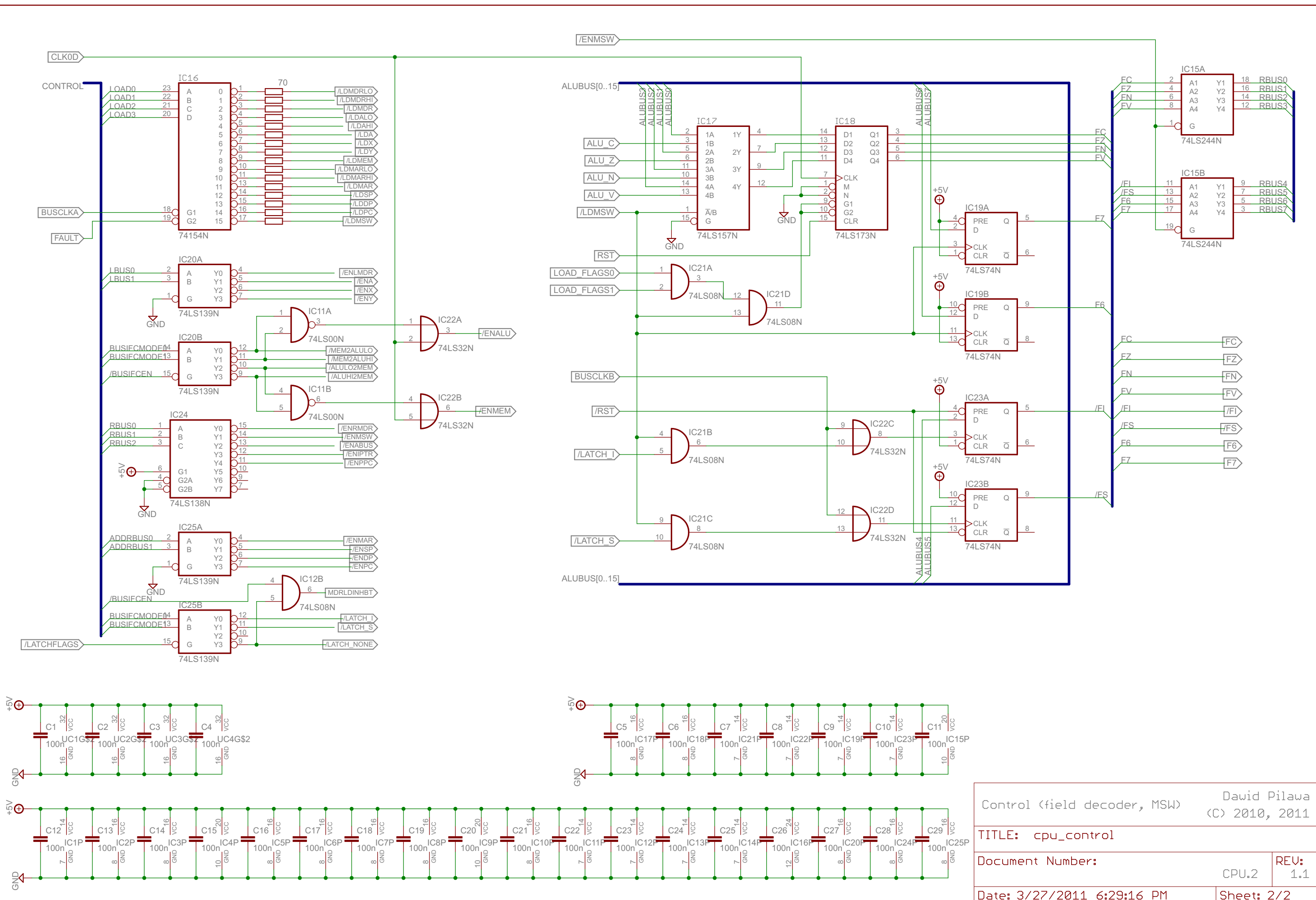


Control (microcode sequencer) Dawid Pilawa	
(C) 2010, 2011	
TITLE: cpu_control	
Document Number:	REU: 1.1
CPU.1	
Date: 3/27/2011 6:29:16 PM	Sheet: 1/2

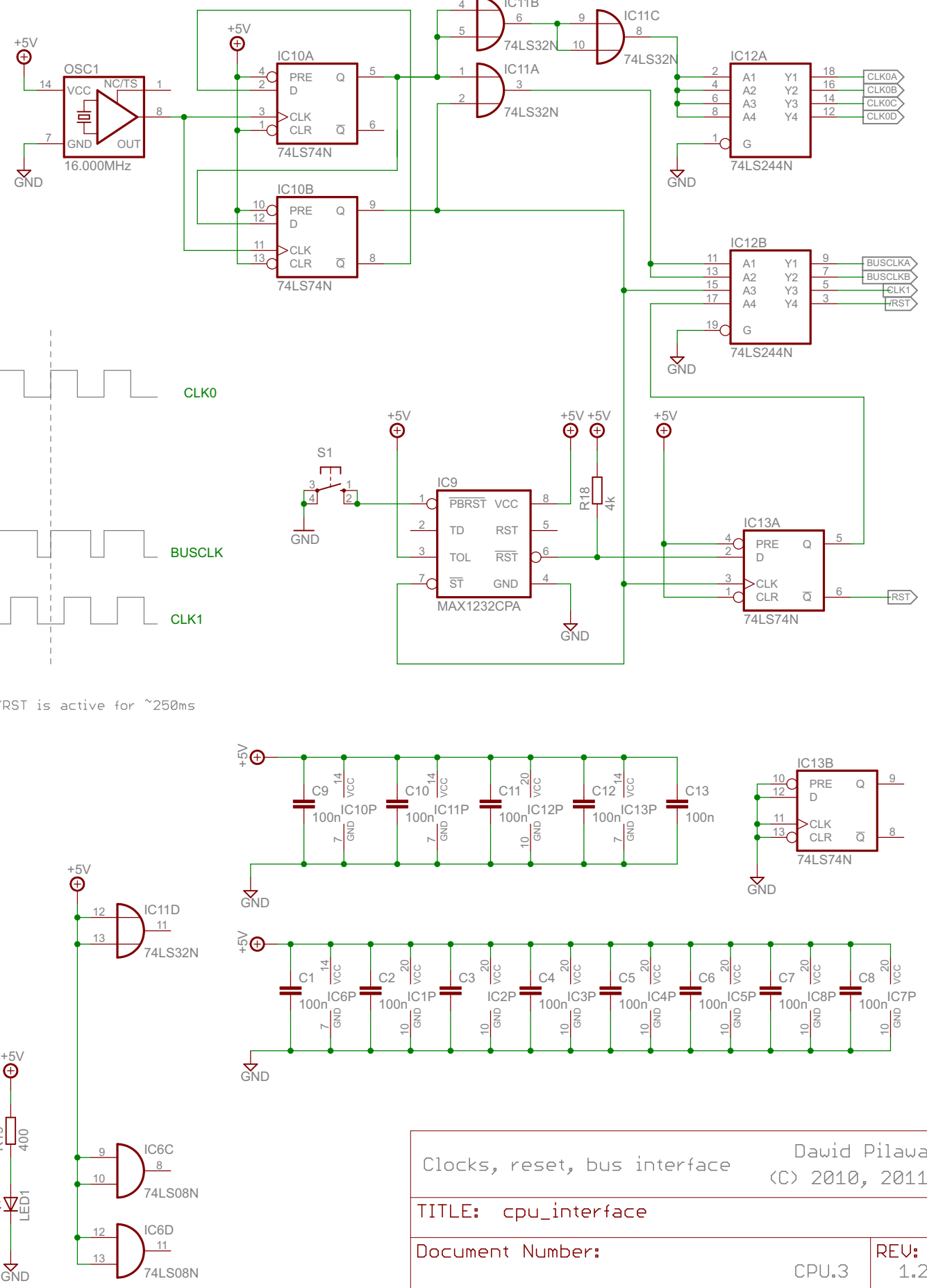
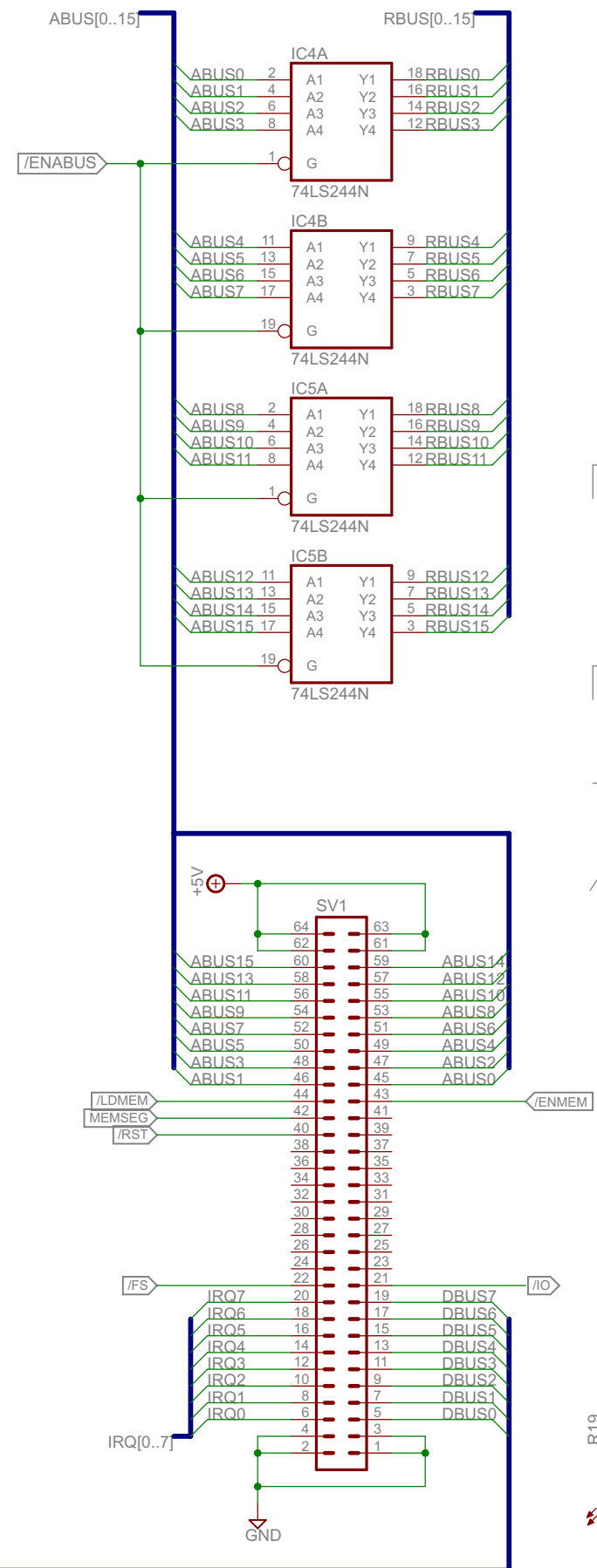
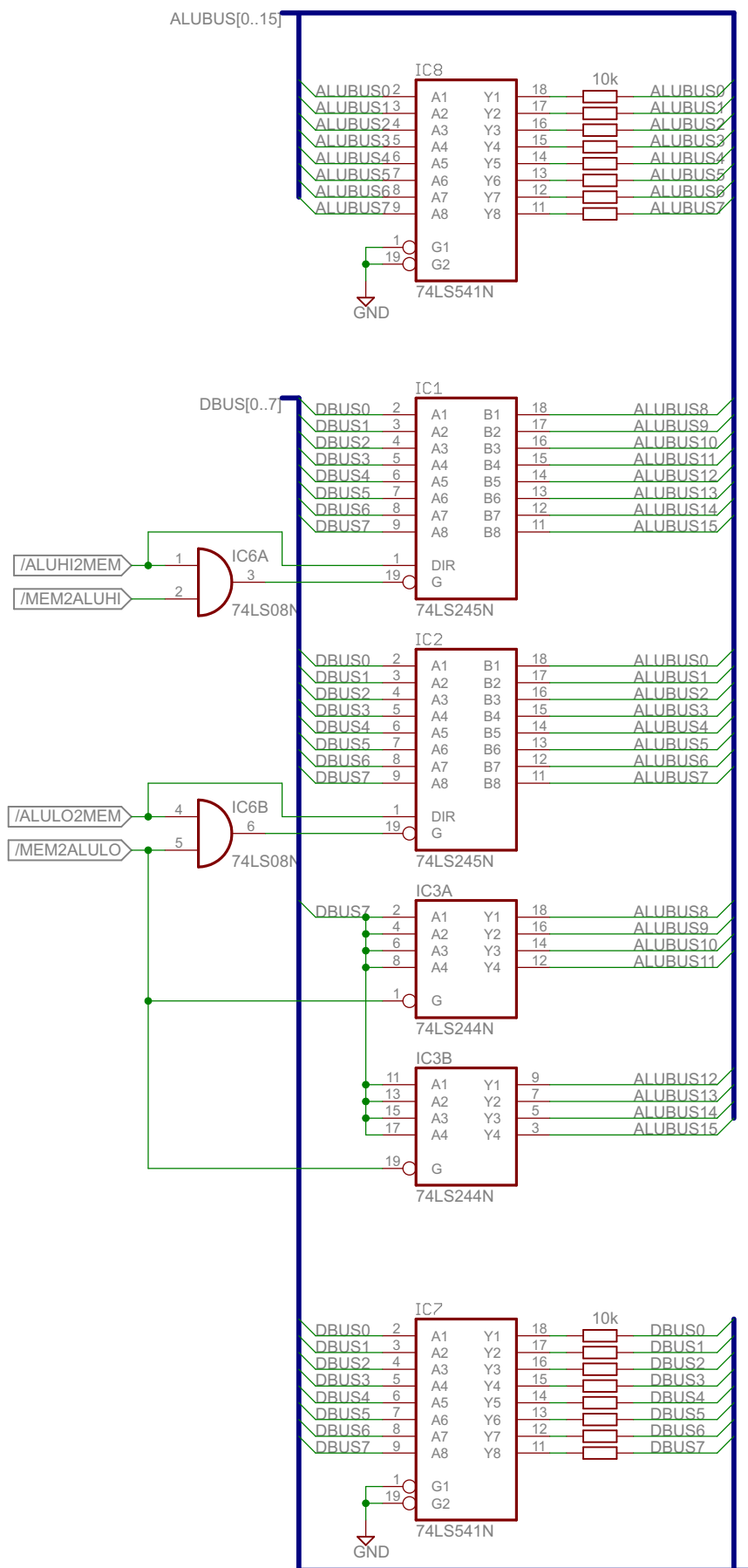


Control (field decoder, MSW) Dawid Pilawa
 (C) 2010, 2011

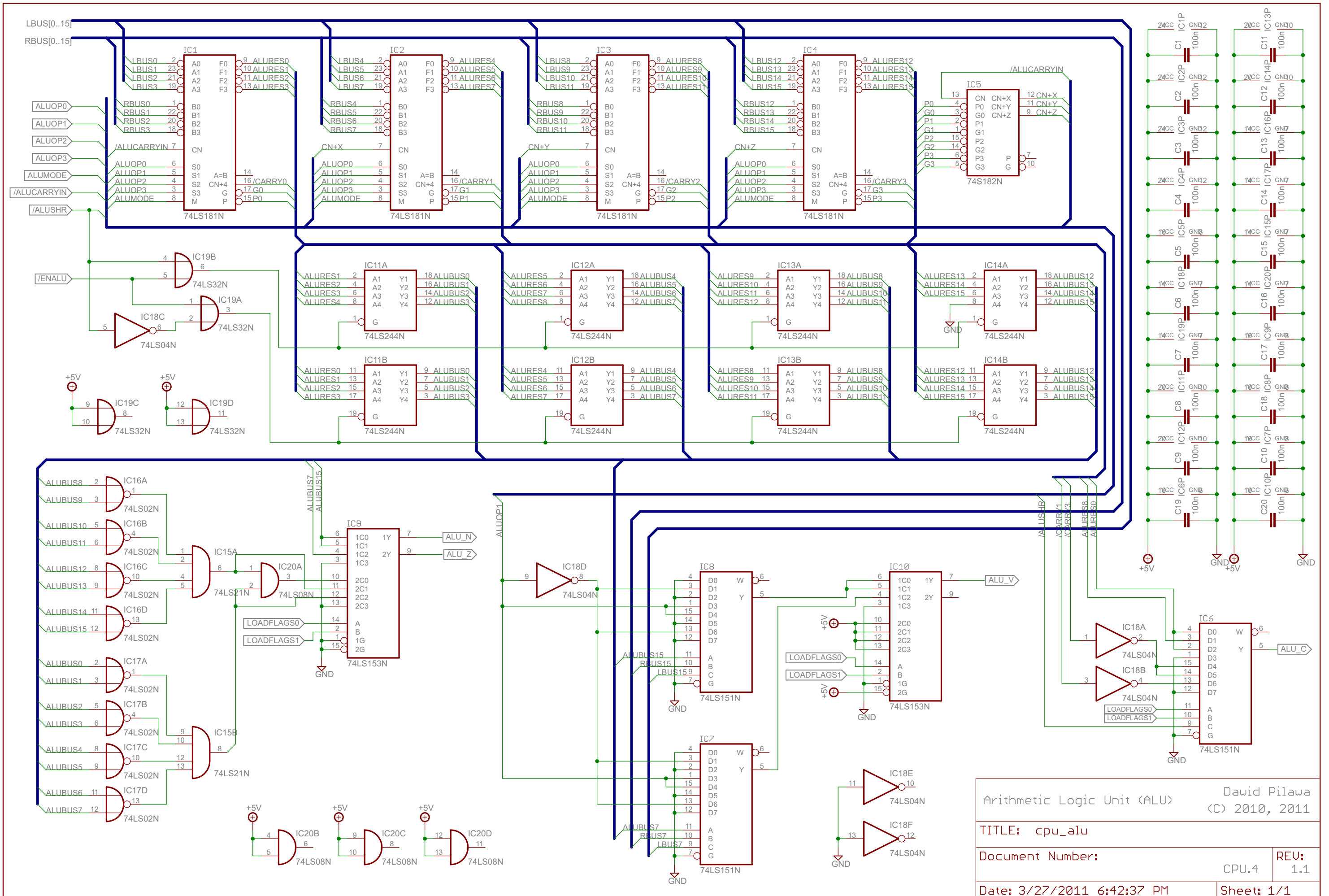
TITLE: cpu_control

Document Number: CPU.2 REV: 1.1

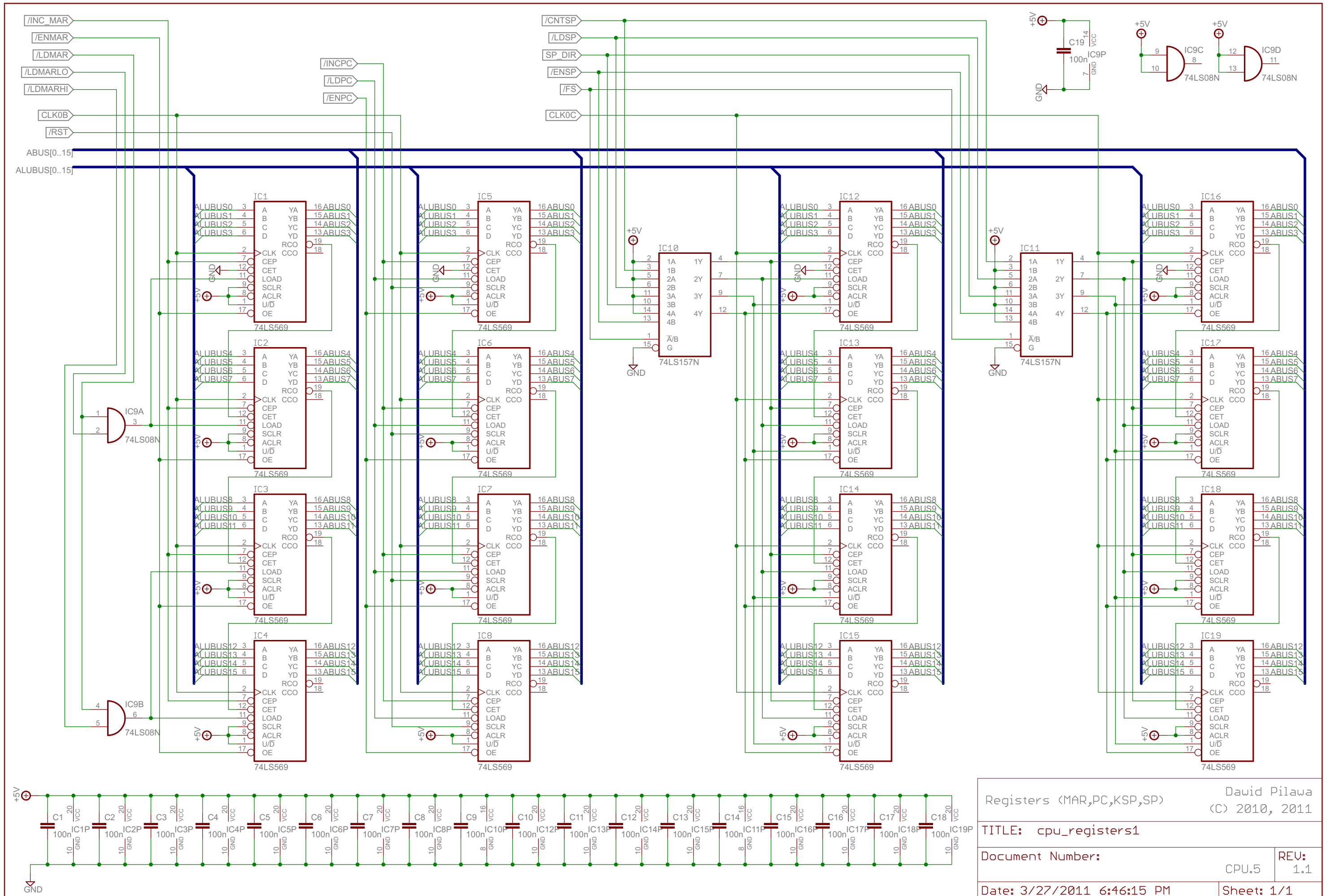
Date: 3/27/2011 6:29:16 PM Sheet: 2/2



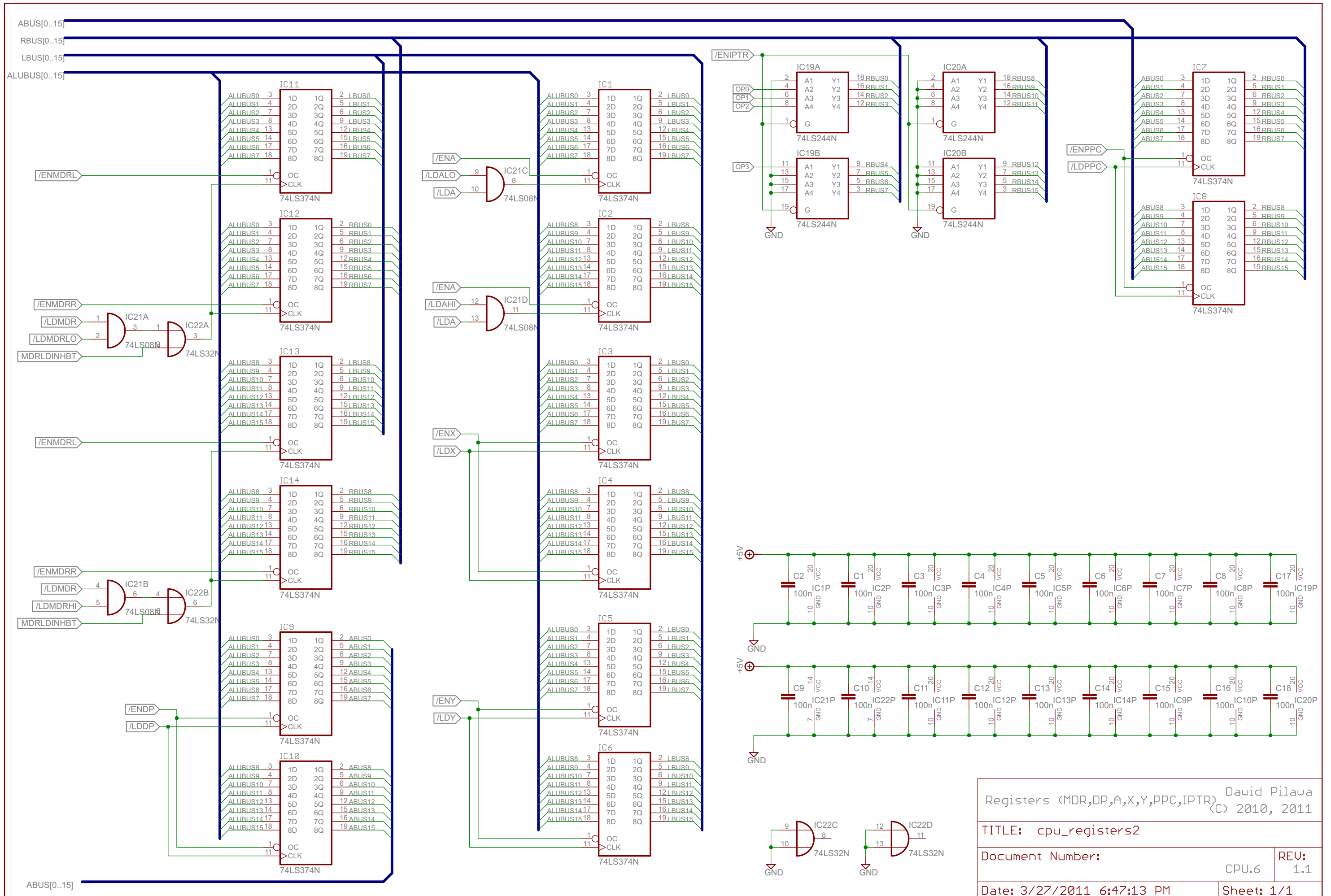
Clocks, reset, bus interface		Dawid Pilawa	
		(C) 2010, 2011	
TITLE: cpu_interface			
Document Number:		CPU.3	REV: 1.2
Date: 6/14/2011 10:30:23 PM		Sheet: 1/1	



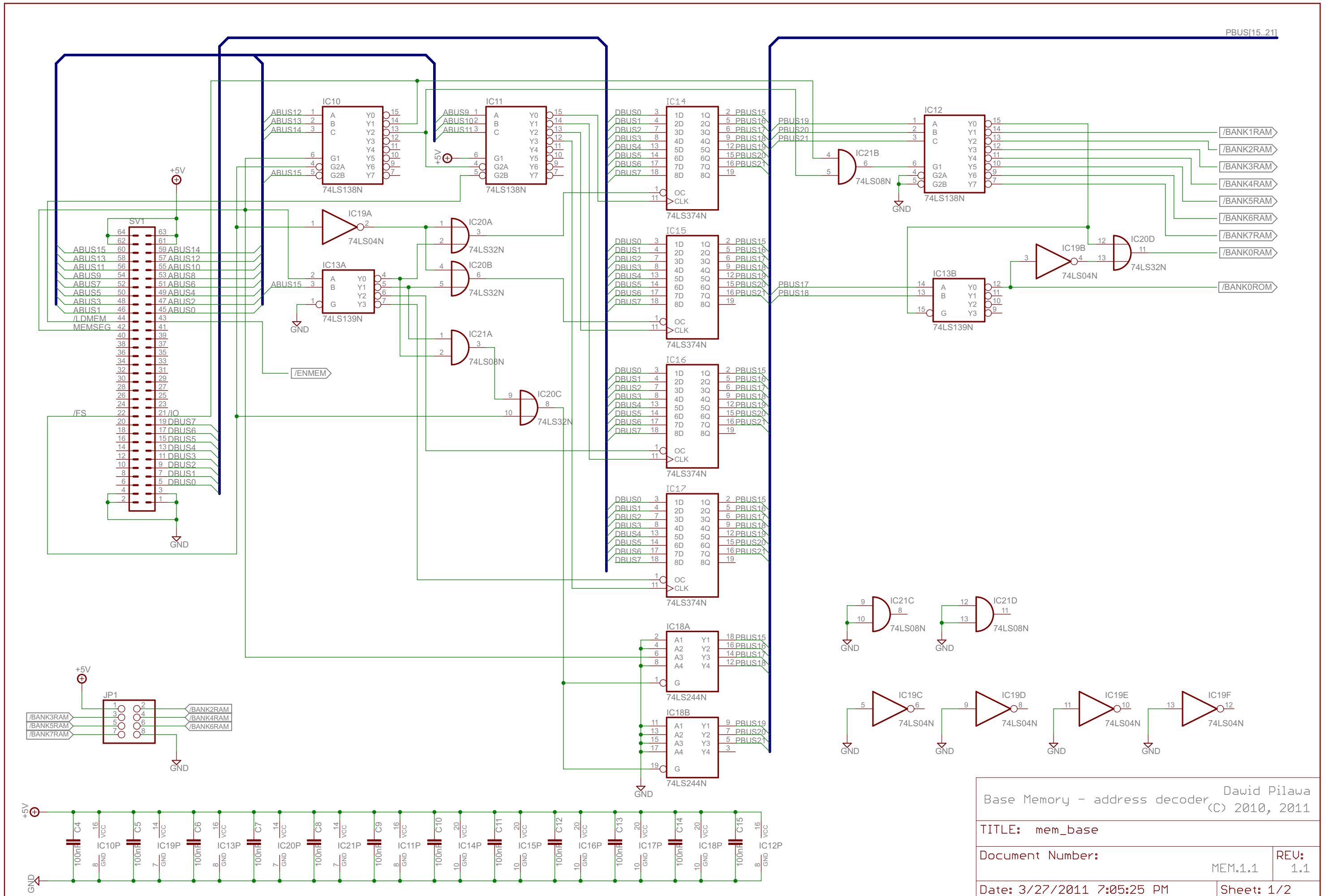
Arithmetic Logic Unit (ALU)		Dawid Pilawa	
TITLE: cpu_alu		(C) 2010, 2011	
Document Number:	CPU.4	REV:	1.1
Date: 3/27/2011 6:42:37 PM	Sheet: 1/1		



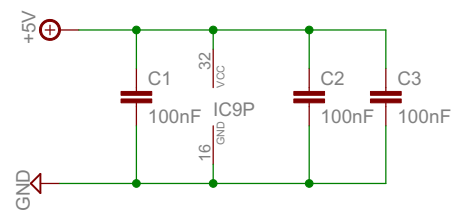
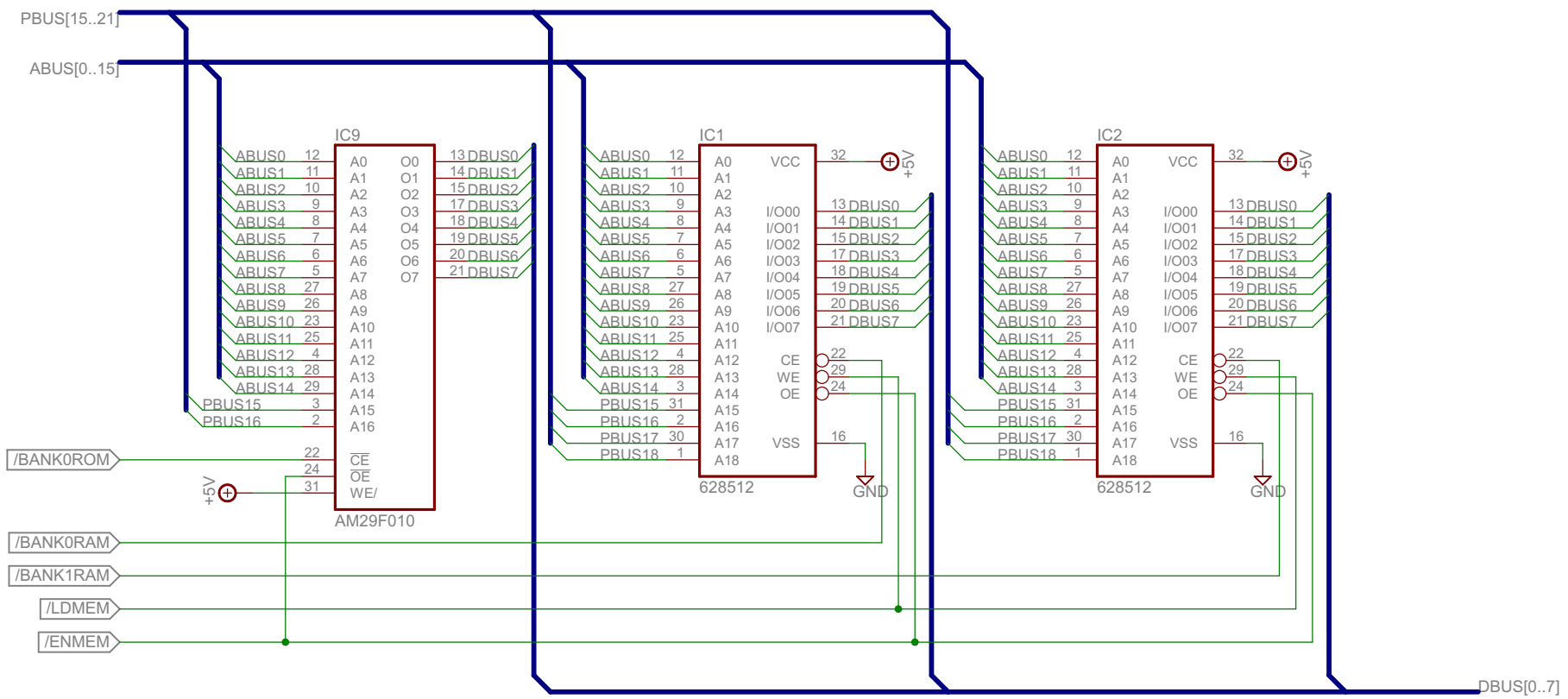
Registers (MAR,PC,KSP,SP)	Dauid Pilawa (C) 2010, 2011
TITLE: cpu_registers1	
Document Number:	REV: 1.1
Date: 3/27/2011 6:46:15 PM	Sheet: 1/1



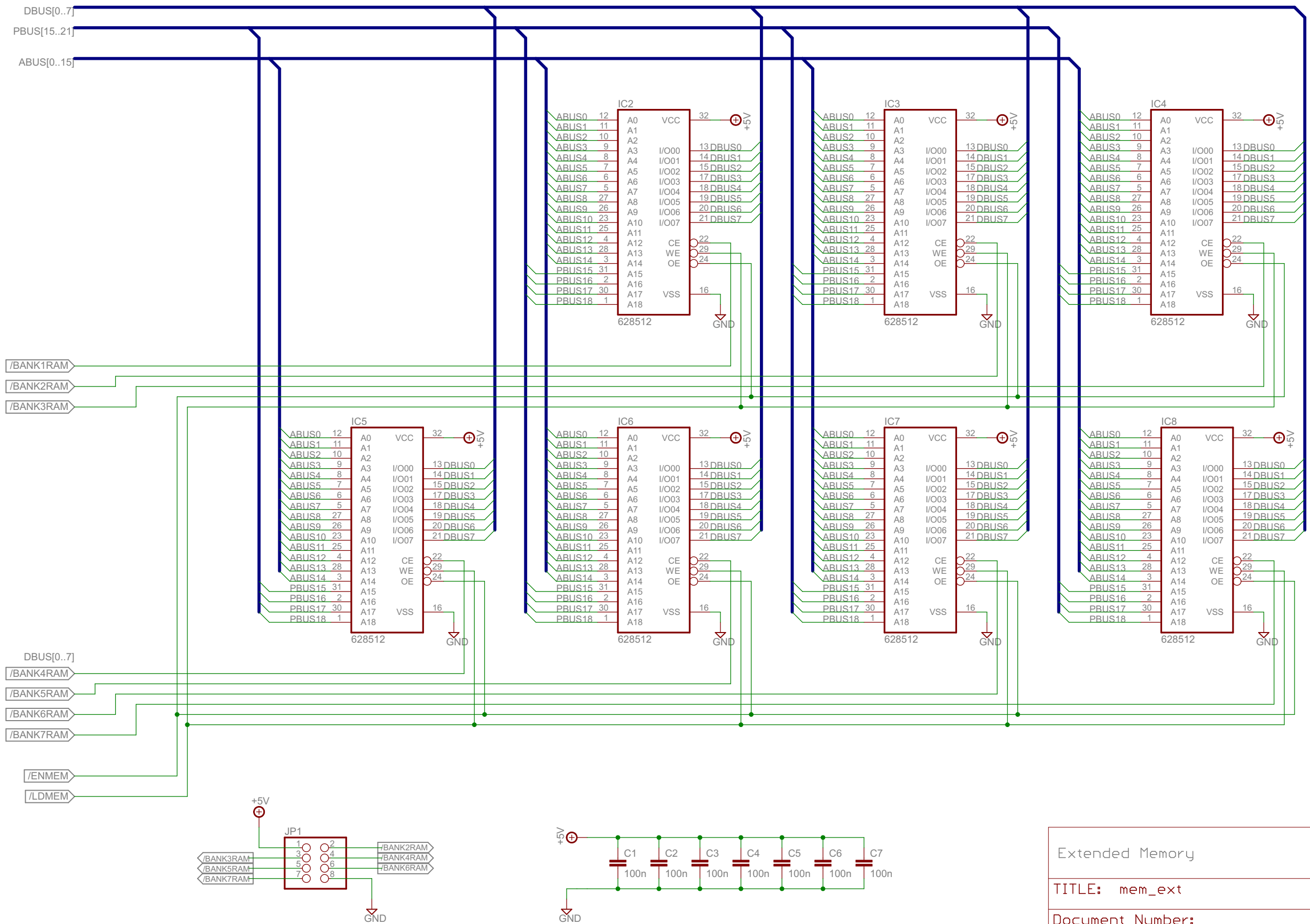
Registers (MDR,DP,A,X,Y,PPC,IPTR) Dawid Pilawa
 (C) 2010, 2011
 TITLE: cpu_registers2
 Document Number: CPU.6 REV: 1.1
 Date: 3/27/2011 6:47:13 PM Sheet: 1/1



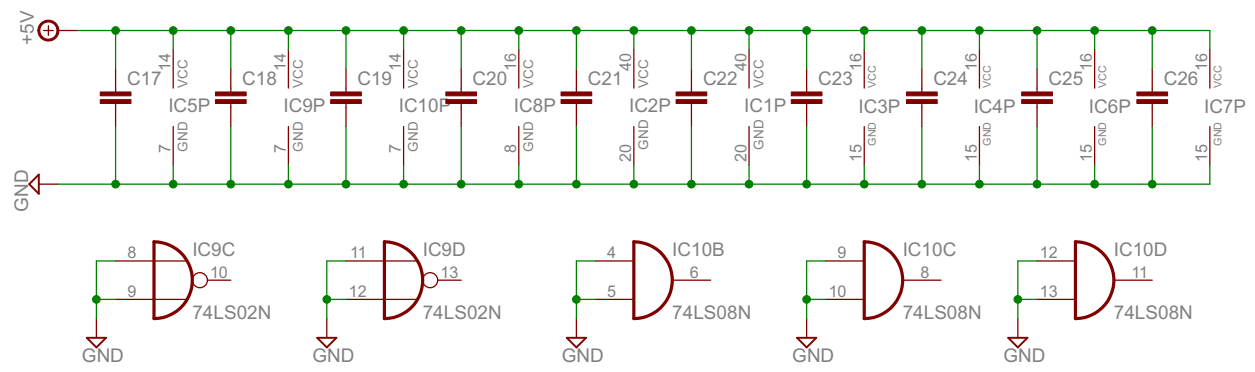
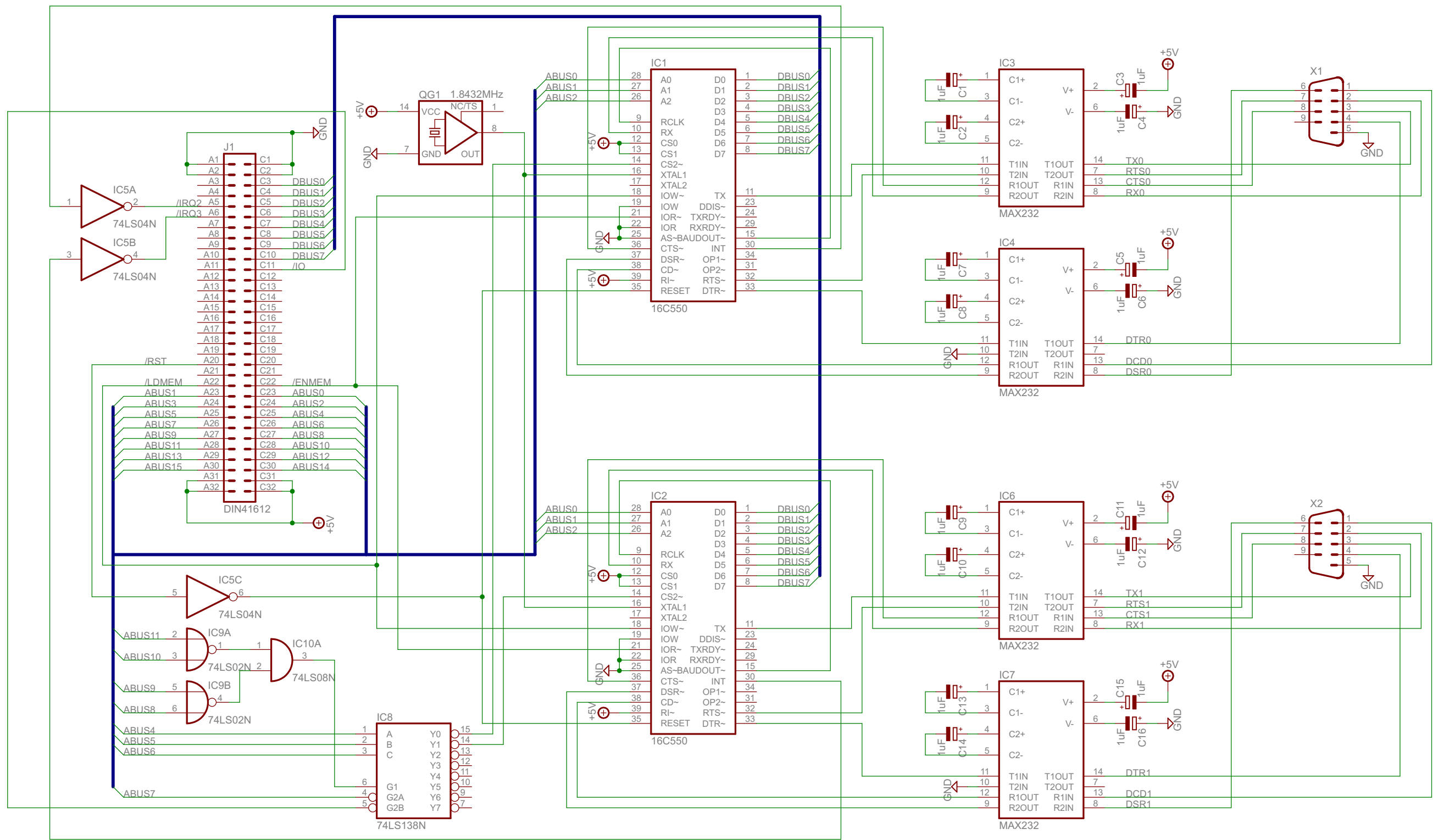
Base Memory - address decoder		Dawid Pilawa (C) 2010, 2011	
TITLE: mem_base			
Document Number:		MEM.1.1	REV: 1.1
Date: 3/27/2011 7:05:25 PM		Sheet: 1/2	



Base Memory - ROM and RAM		Dawid Pilawa (C) 2010, 1011	
TITLE: mem_base			
Document Number:		MEM.1.2	REV: 1.1
Date: 3/27/2011 7:05:25 PM		Sheet: 2/2	



Extended Memory		Dawid Pilawa (C) 2010, 2011	
TITLE: mem_ext			
Document Number:		MEM.2	REV: 1.1
Date: 3/27/2011 7:18:53 PM		Sheet: 1/1	



I/O - UARTS		Dawid Pilawa	
		(C) 2010, 2011	
TITLE: io_uartS			
Document Number:		10.1	REV: 1.0.1
Date: 6/14/2011 10:40:56 PM		Sheet: 1/1	